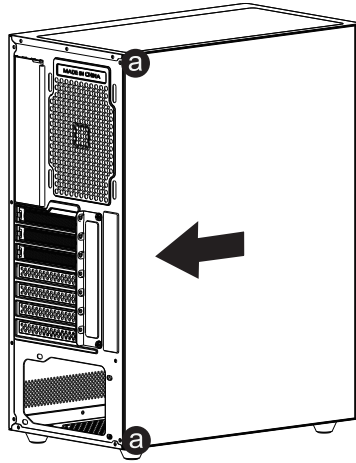


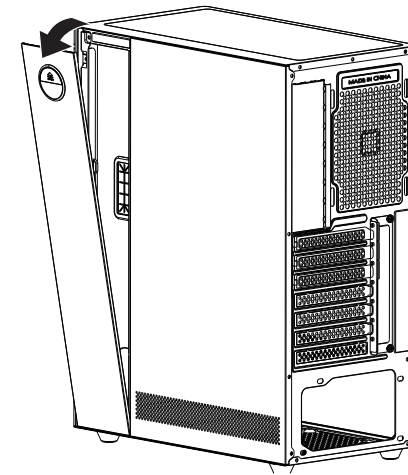
PANEL REMOVAL

Unscrew the two screws securing the side panel at point a, then slide the panel in the direction of the arrow to remove it.



MAGNETIC CABLE COVER REMOVAL

Place your fingers into the finger grip area, pull outward in the direction of the arrow to create a gap, then lift upward to remove the cover.



COOLING DEVICE COMPATIBILITY

Top Panel: 2×120mm fans or 1×240mm radiator

2×140mm fans

Divider Panel: 2×120mm fans

Rear Panel: 1×120mm fan or 1×120mm radiator

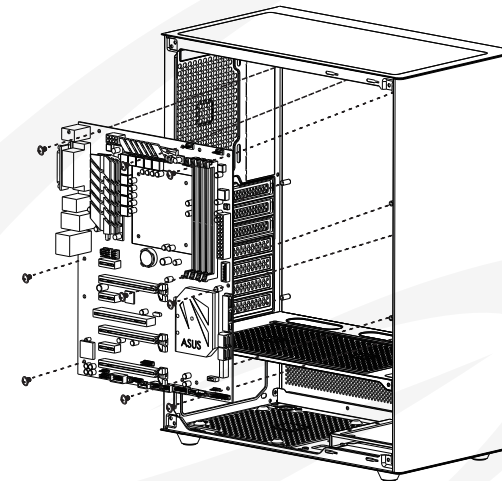
Front Panel: Fan support depends on panel design.

DISCLAIMER (ENGLISH)

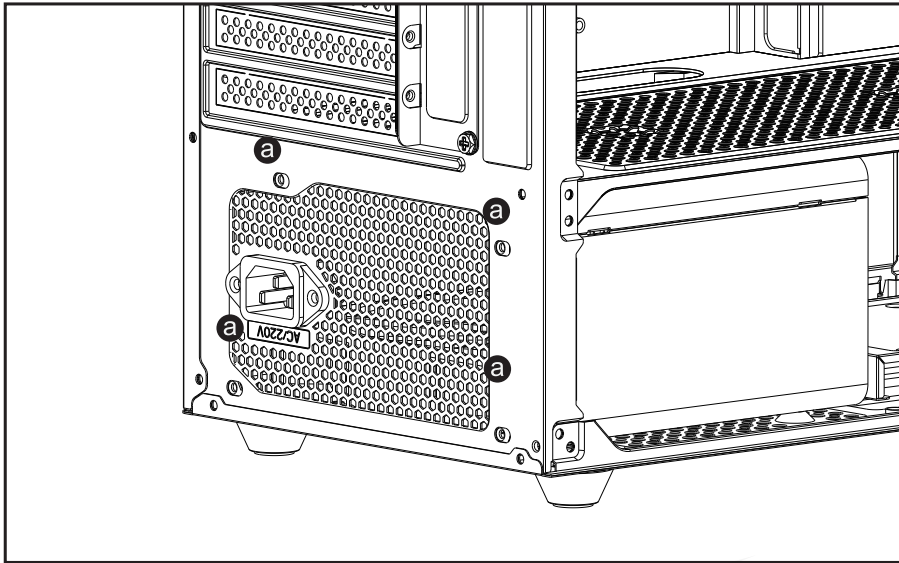
JEMP assumes no responsibility for damage, injury, or loss resulting from the use or misuse of this product. This includes, but is not limited to, improper installation, unauthorized modifications, or use outside the intended purpose. Warranty terms may vary—please consult your distributor or point of sale for warranty coverage and service conditions. Use of this product implies full acceptance of these terms.

MOTHERBOARD INSTALLATION

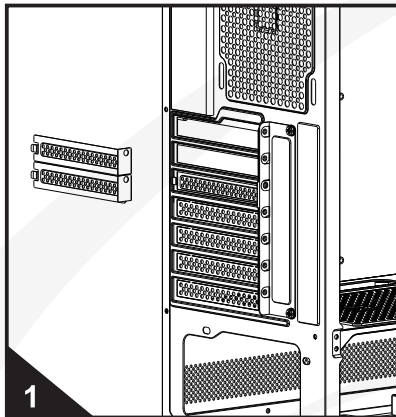
Supported Motherboard Types: ATX / Micro ATX / ITX



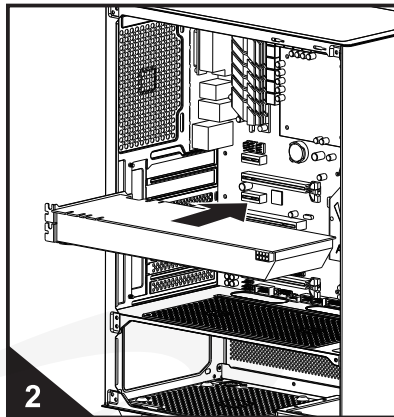
PSU INSTALLATION (Support ATX PSU)



VGA CARD INSTALLATION



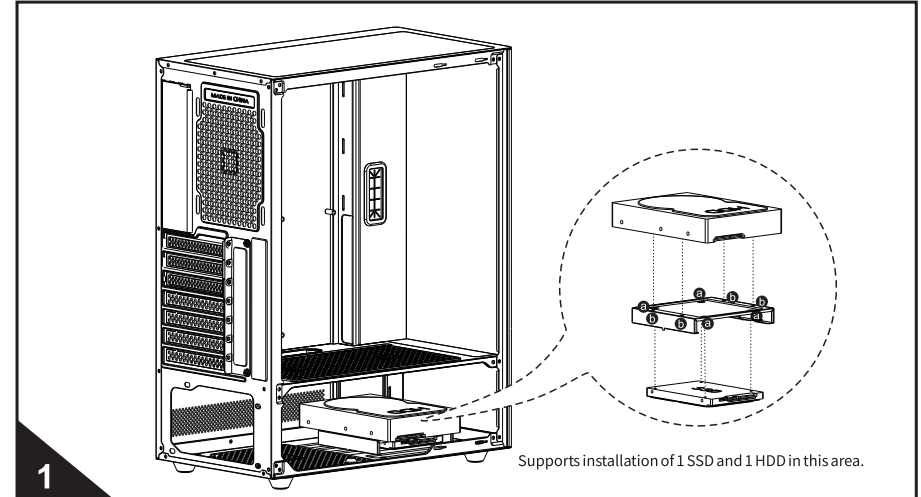
1 Remove the PCI slot cover screw(s) corresponding to your motherboard's PCIe slot and detach the cover.



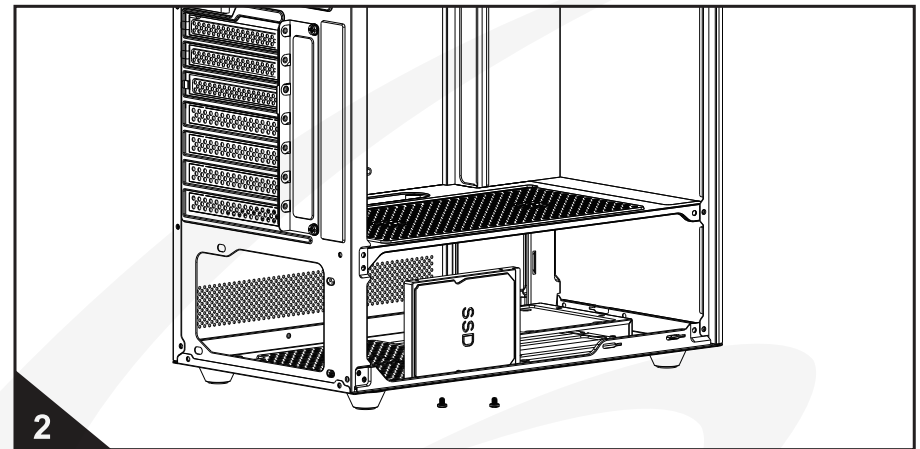
2 Insert the graphics card into the PCIe slot in the direction of the arrow and secure it with screws.



HDD/SSD INSTALLATION



- 1 Supports installation of 1 SSD and 1 HDD in this area.
- ① Remove the drive cage from the chassis base.
 - ② Mount a 2.5-inch SSD into the drive cage as shown, securing it with four screws at point a. Then, mount a 3.5-inch HDD onto the drive cage as shown, securing it with four screws at point b.
 - ③ Reinstall the drive cage into the chassis base slot and secure it with screws from the bottom.



2 Mount a 2.5-inch SSD directly onto the chassis base as shown and secure it with two screws from the bottom.





www.jemip.io

Just for you.

CASE
BASTION
DIGITAL

JEMIP
USER MANUAL



CASE
BASTION
DIGITAL